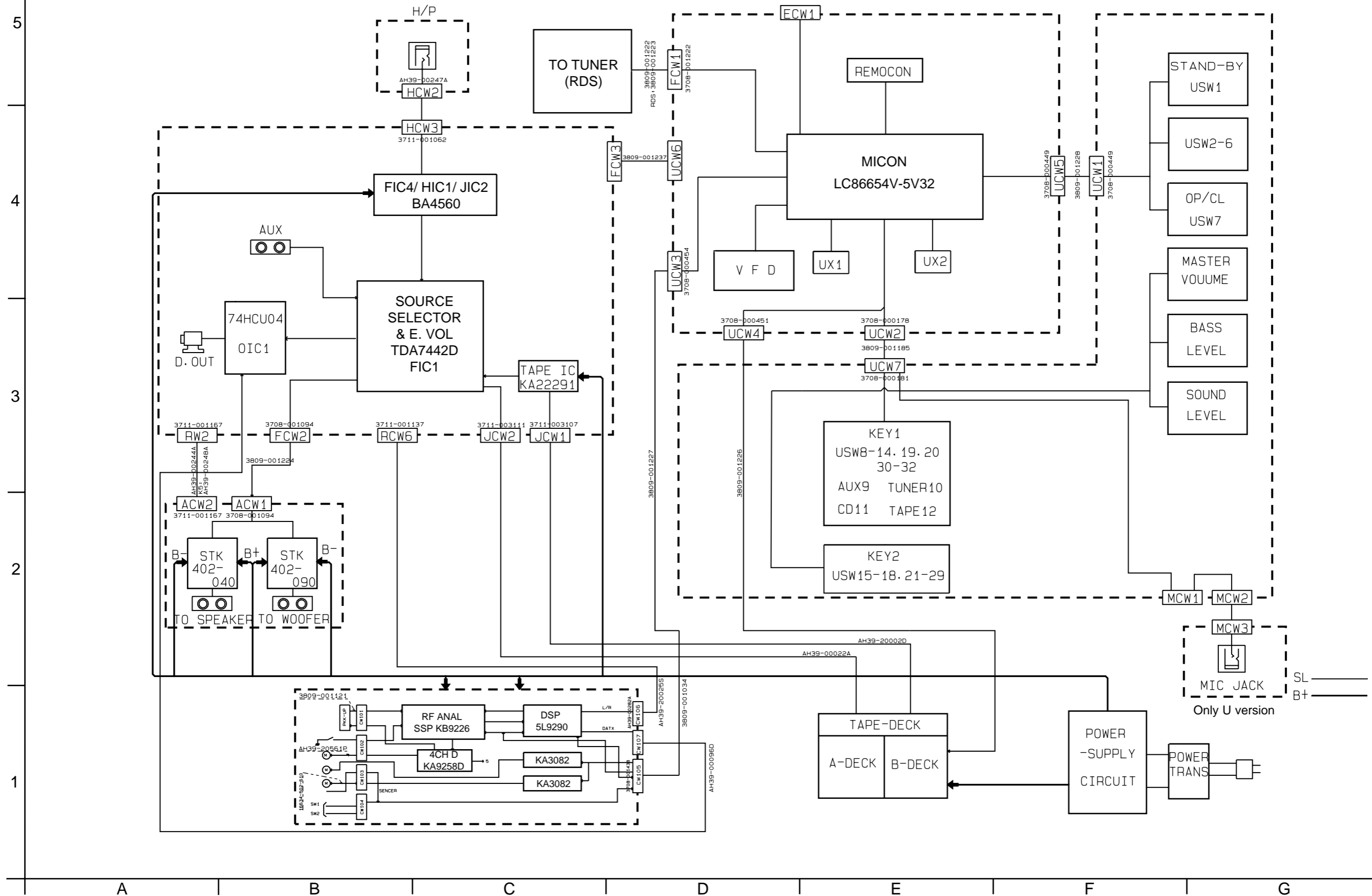


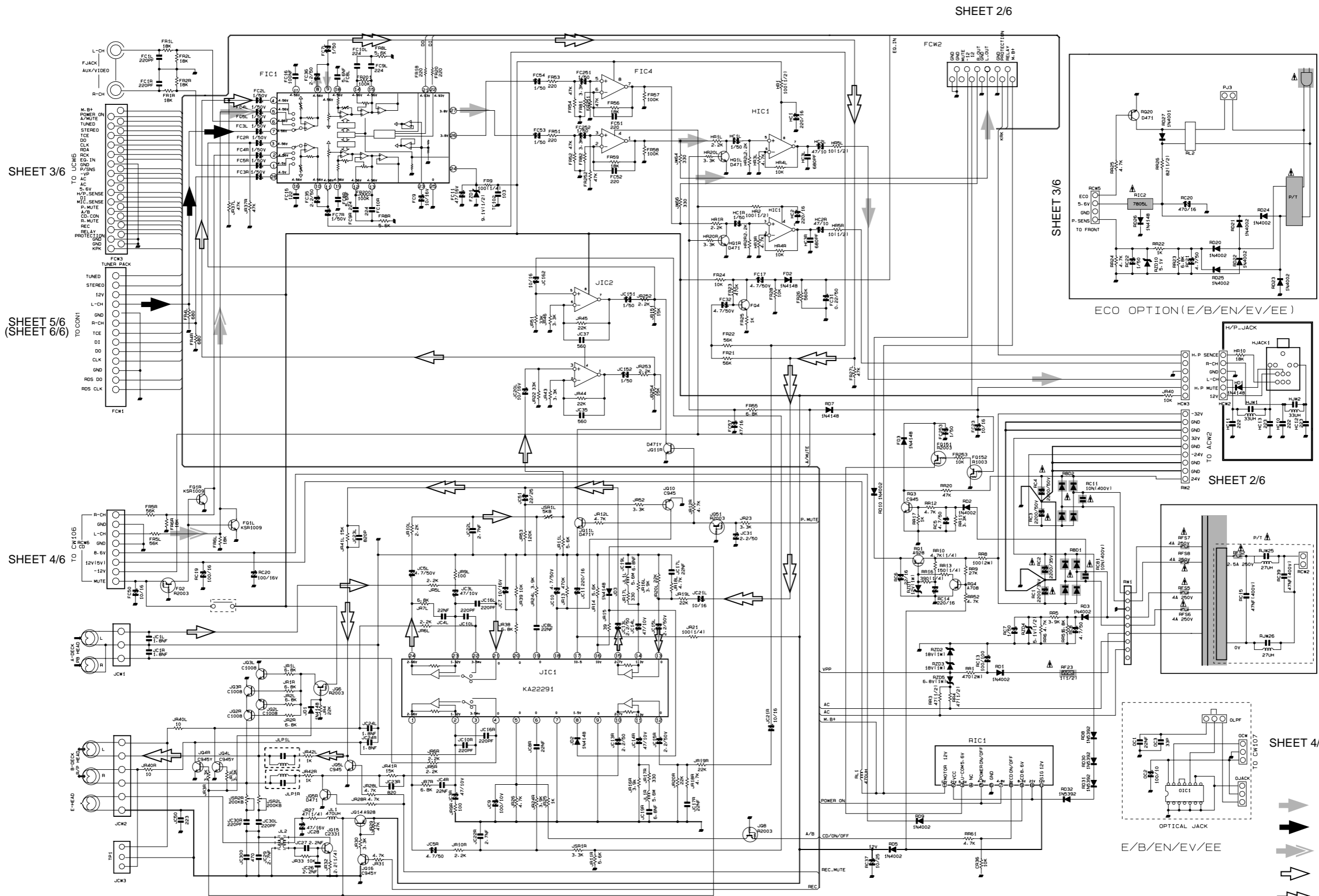
# Block diagram



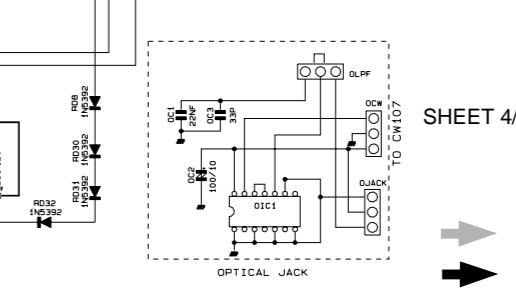
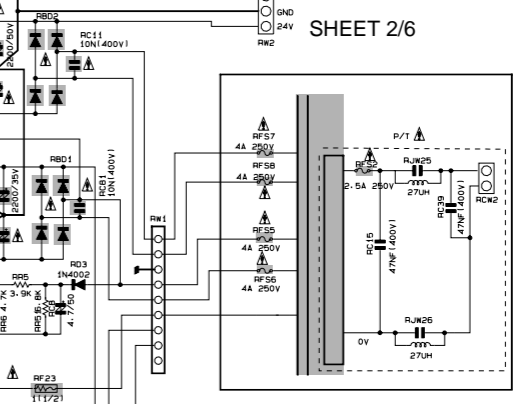
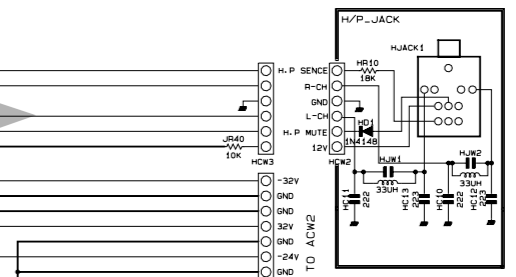
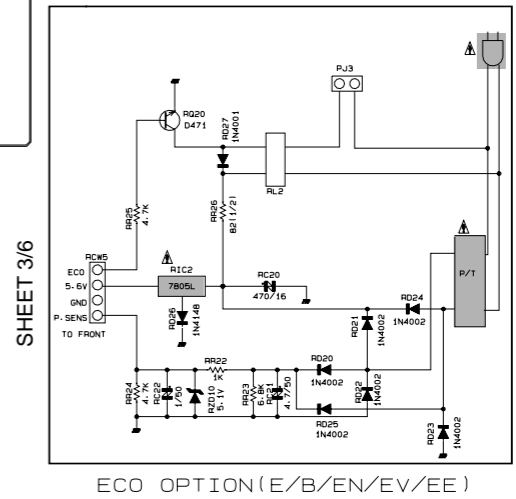
# Standard schematic diagrams

## ■ Main section

5  
4  
3  
2  
1



SHEET 2/6



- ➔ MAIN signal
- ➔ TUNER signal
- ➔ CD signal
- ➔ TAPE P.B. signal
- ➔ TAPE REC. signal

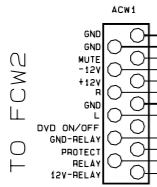
⚠ Parts are safety assurance parts.  
When replacing those parts make  
sure to use the specified one.

A B C 2-2 D E F G H

Amplifier section

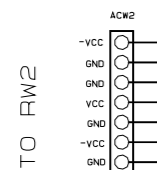
5

SHEET 1/6



4

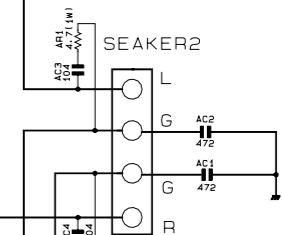
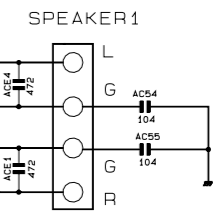
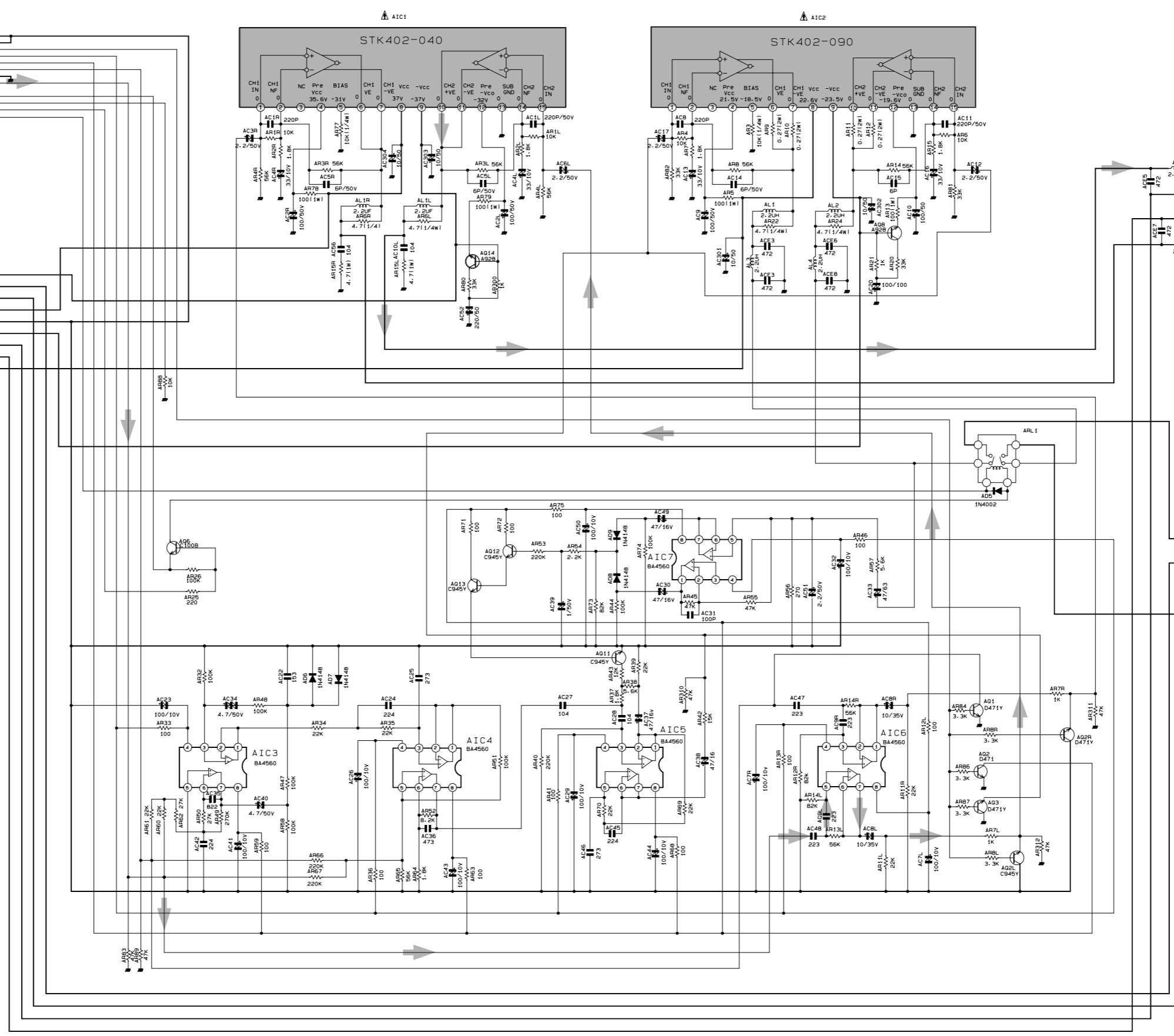
SHEET 1/6



3

2

1



▲ Parts are safety assurance parts. When replacing those parts make sure to use the specified one.

➔ MAIN Signal

Front control section

5

SHEET 1/6

4

3

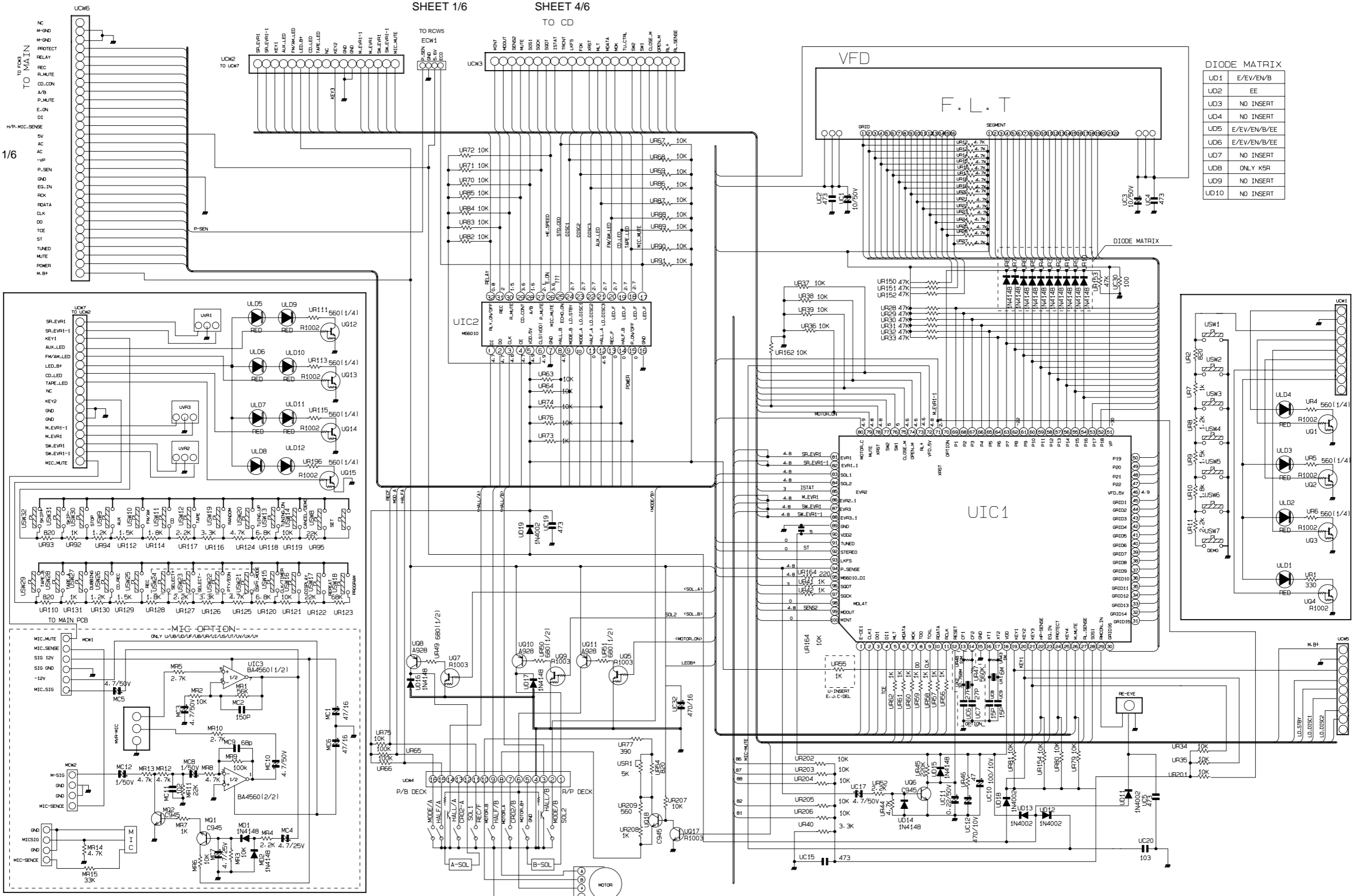
2

1

SHEET 1/6

SHEET 4/6

TO CD



DIODE MATRIX

UD1	E/EV/EN/B
UD2	EE
UD3	NO INSERT
UD4	NO INSERT
UD5	E/EV/EN/B/EE
UD6	E/EV/EN/B/EE
UD7	NO INSERT
UD8	ONLY K5R
UD9	NO INSERT
UD10	NO INSERT



■ Tuner section (Ver. B, E, EE, EV)

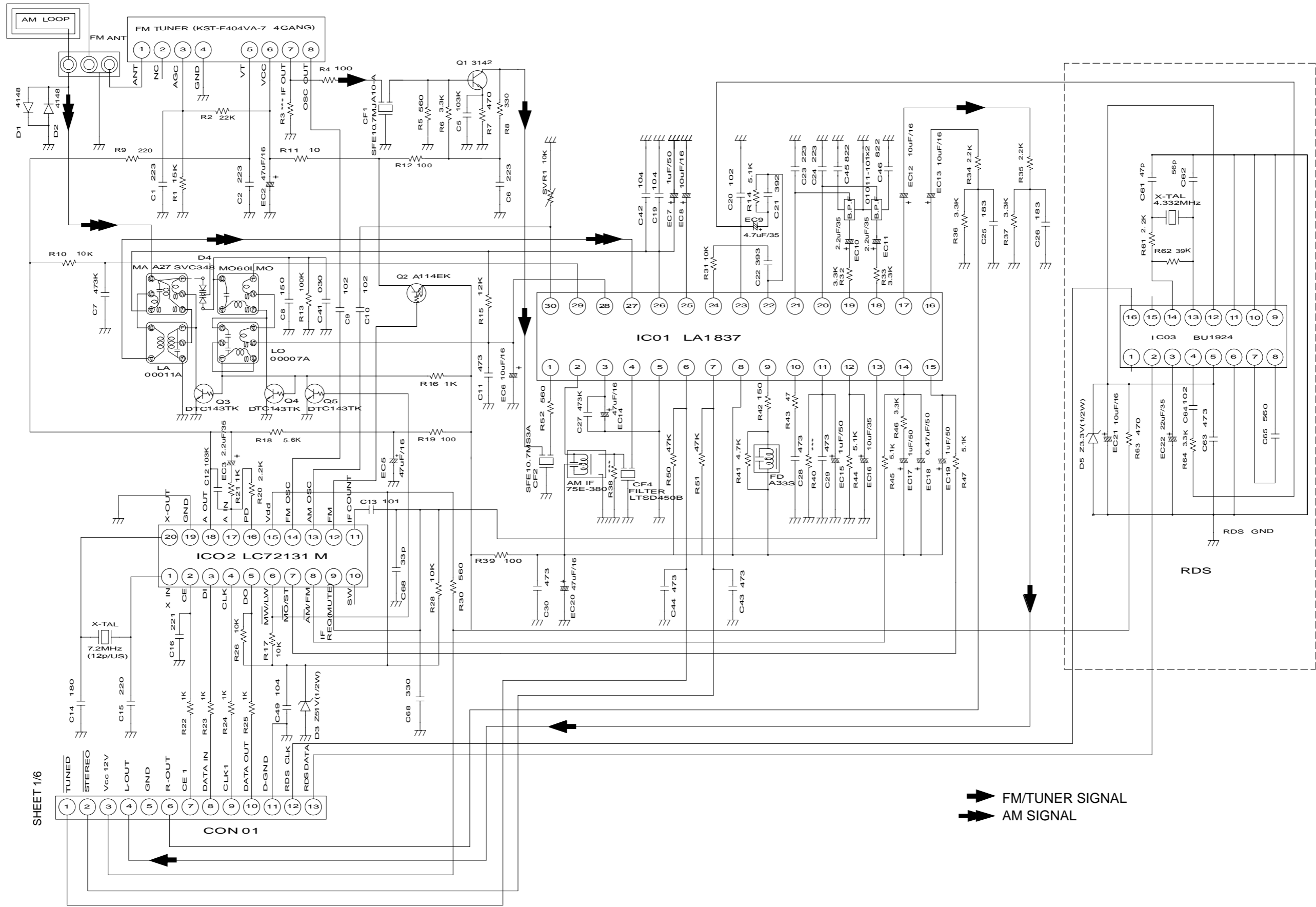
5

4

3

2

1



 FM/TUNER SIGNAL  
 AM SIGNAL

■ Tuner section (EE Only)

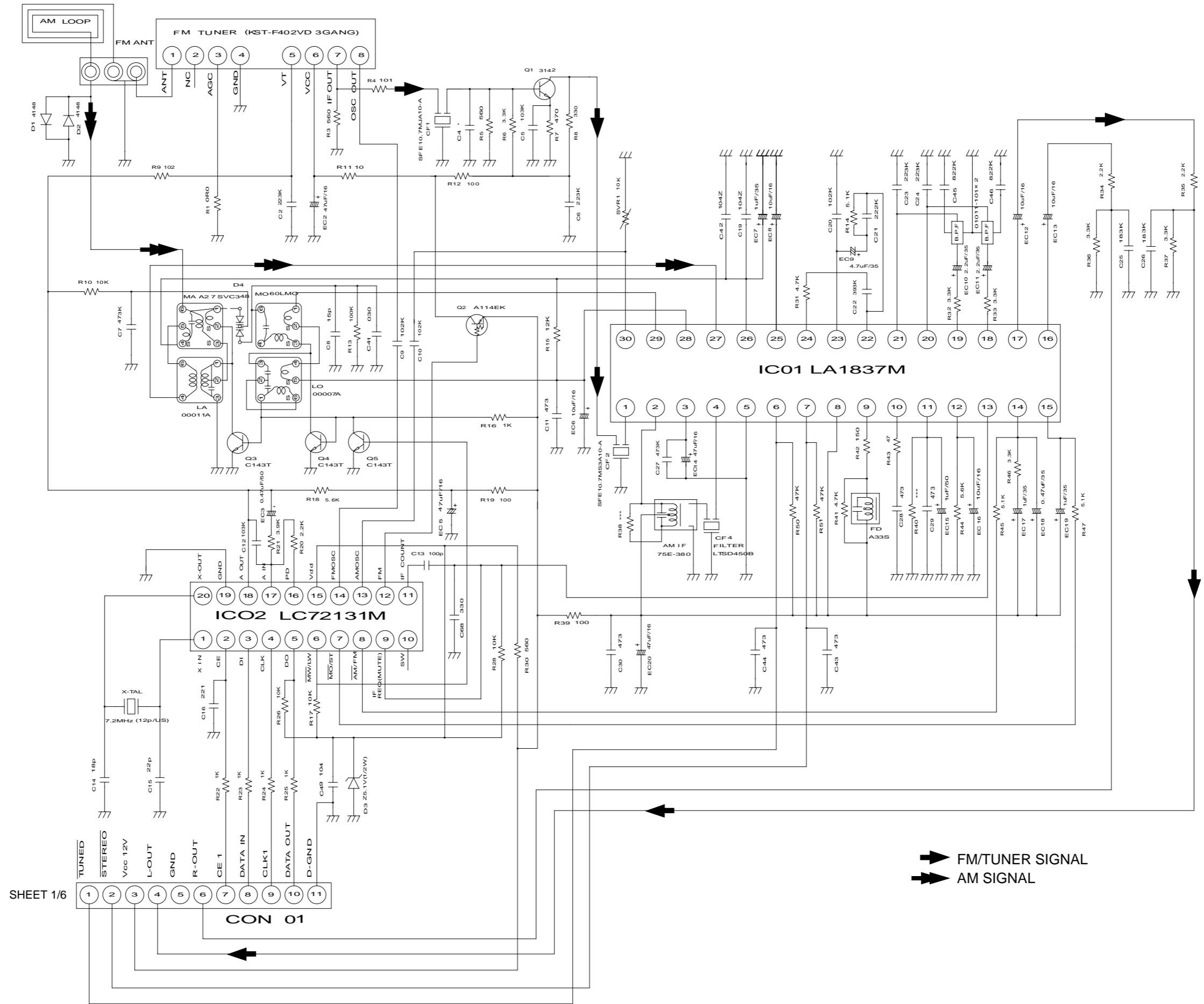
5

4

3

2

1



SHEET 1/6

CON 01

FM/TUNER SIGNAL  
 AM SIGNAL

A

B

C

D

E

F

G

27

# Printed circuit boards

## ■ Main board

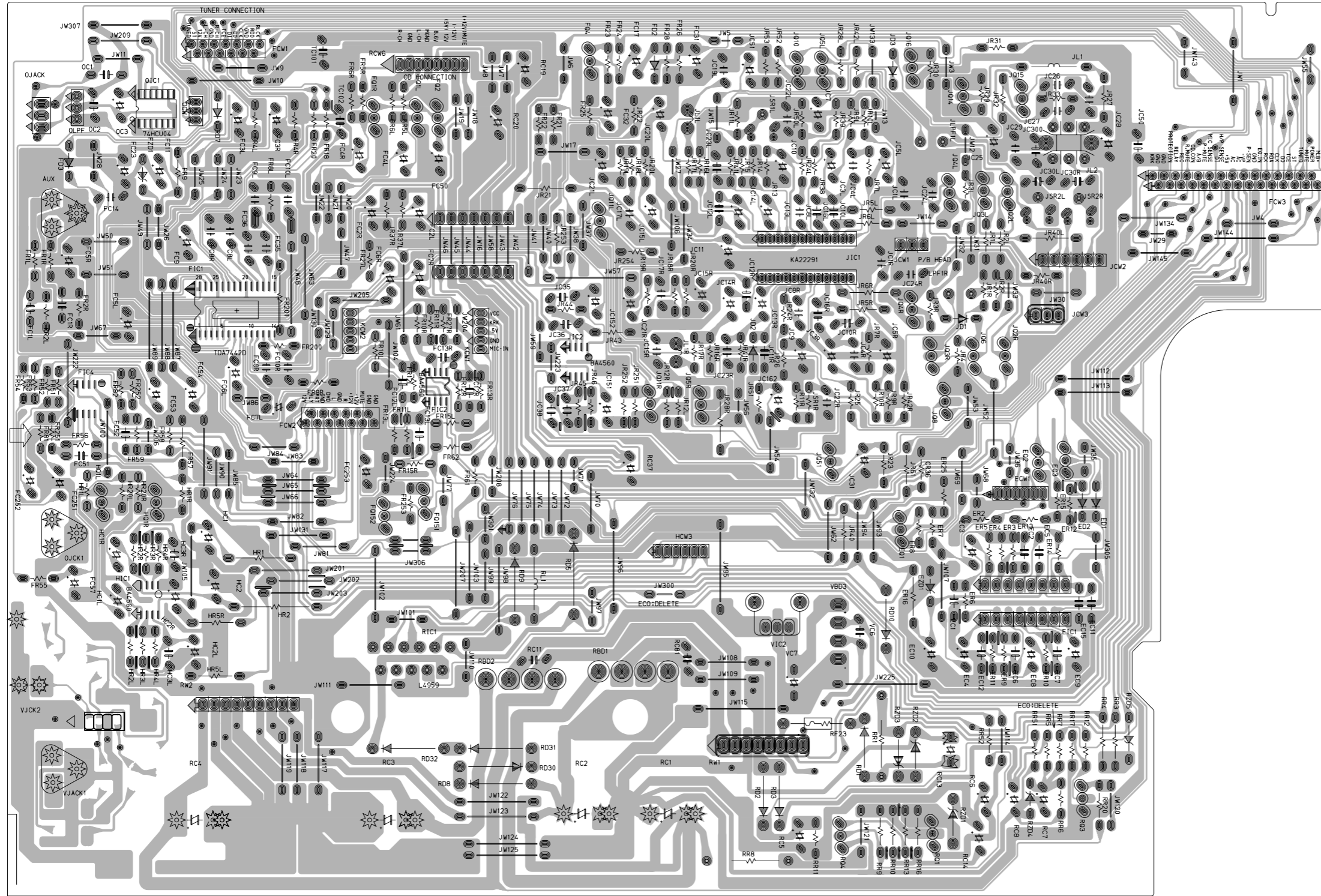
5

4

3

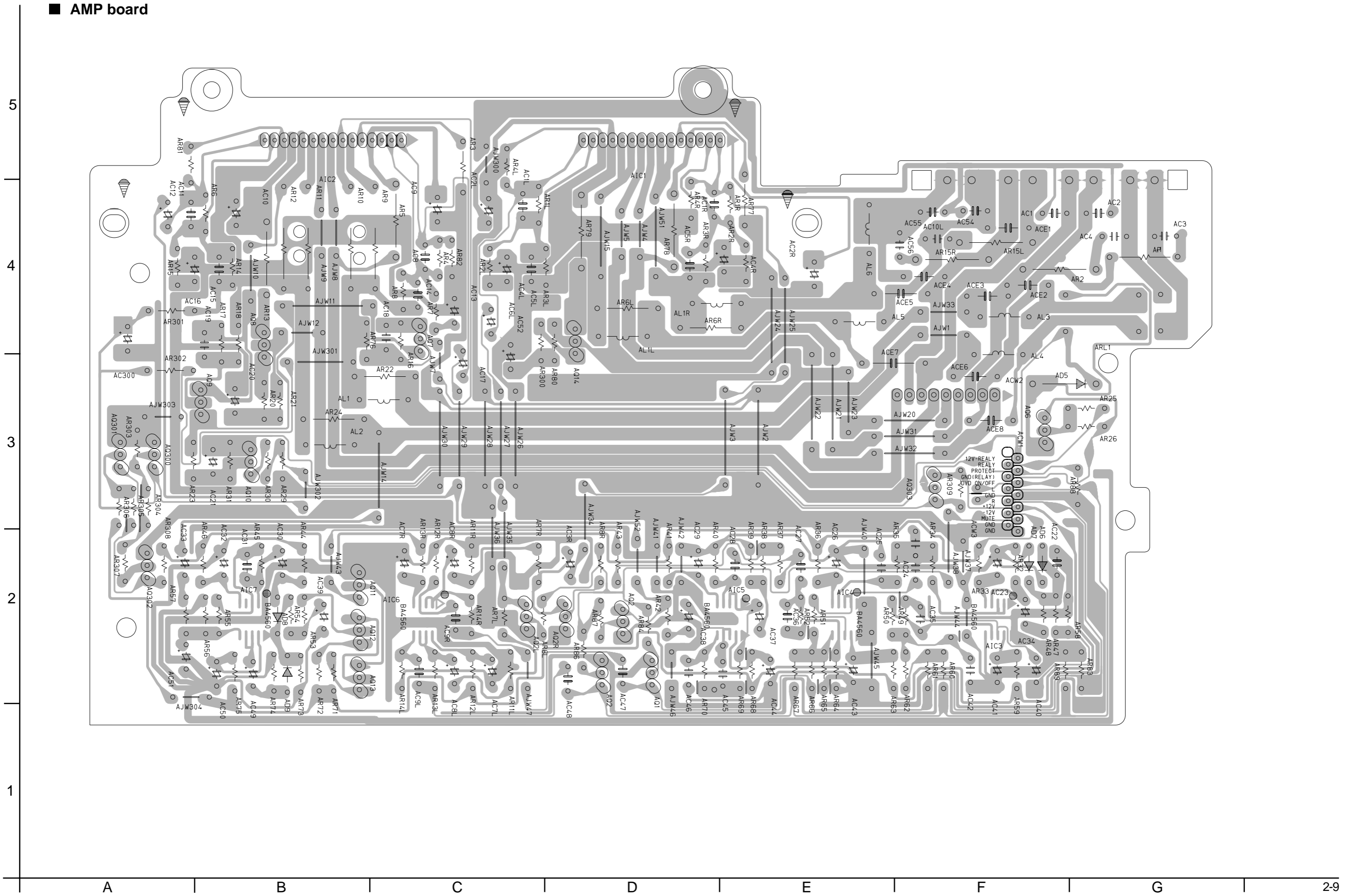
2

1





AMP board



■ Front board

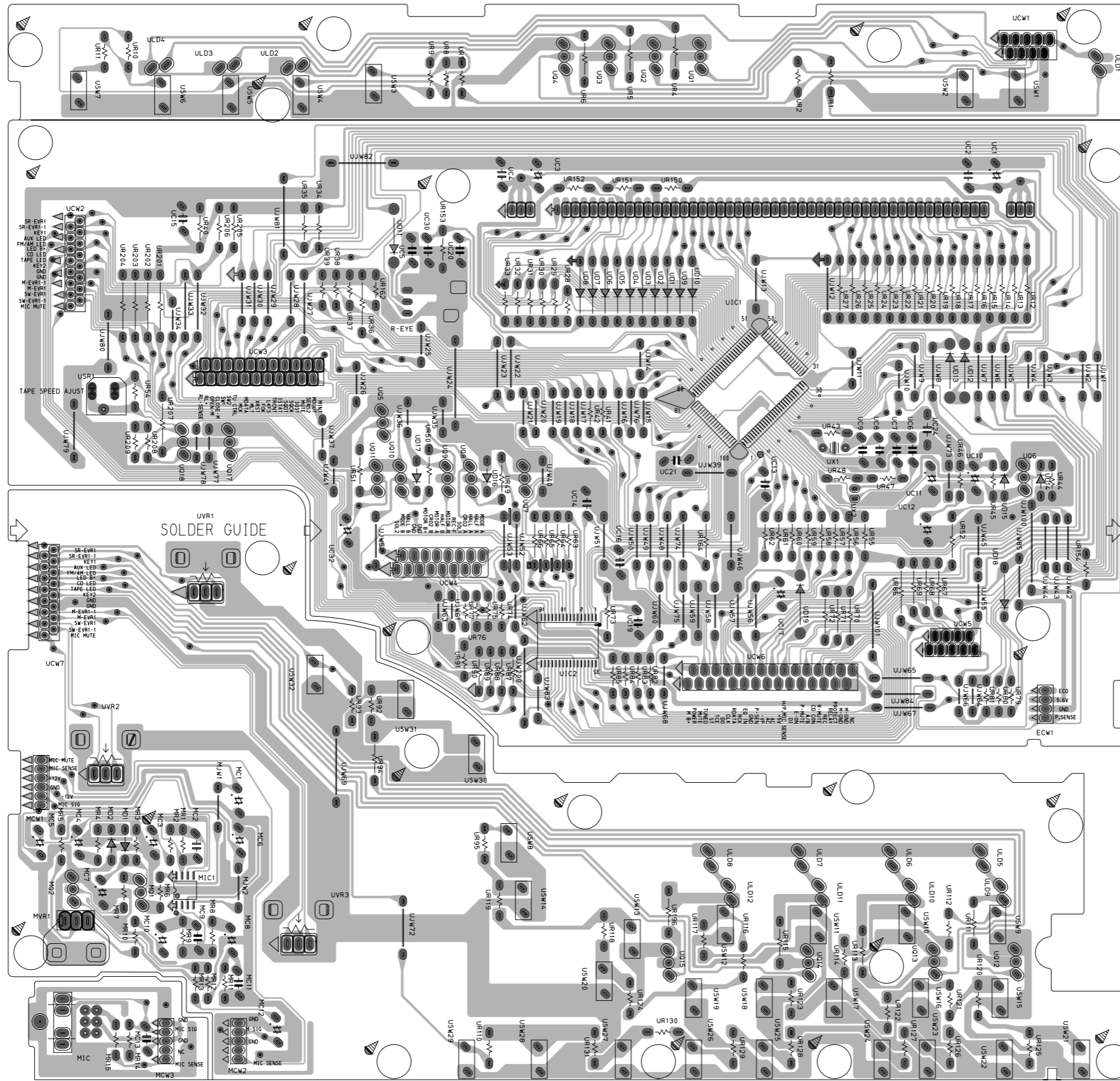
5

4

3

2

1



Power / CD switch board

FL display & system control board

Front key switch board

A

B

C

2-10

D

E

F

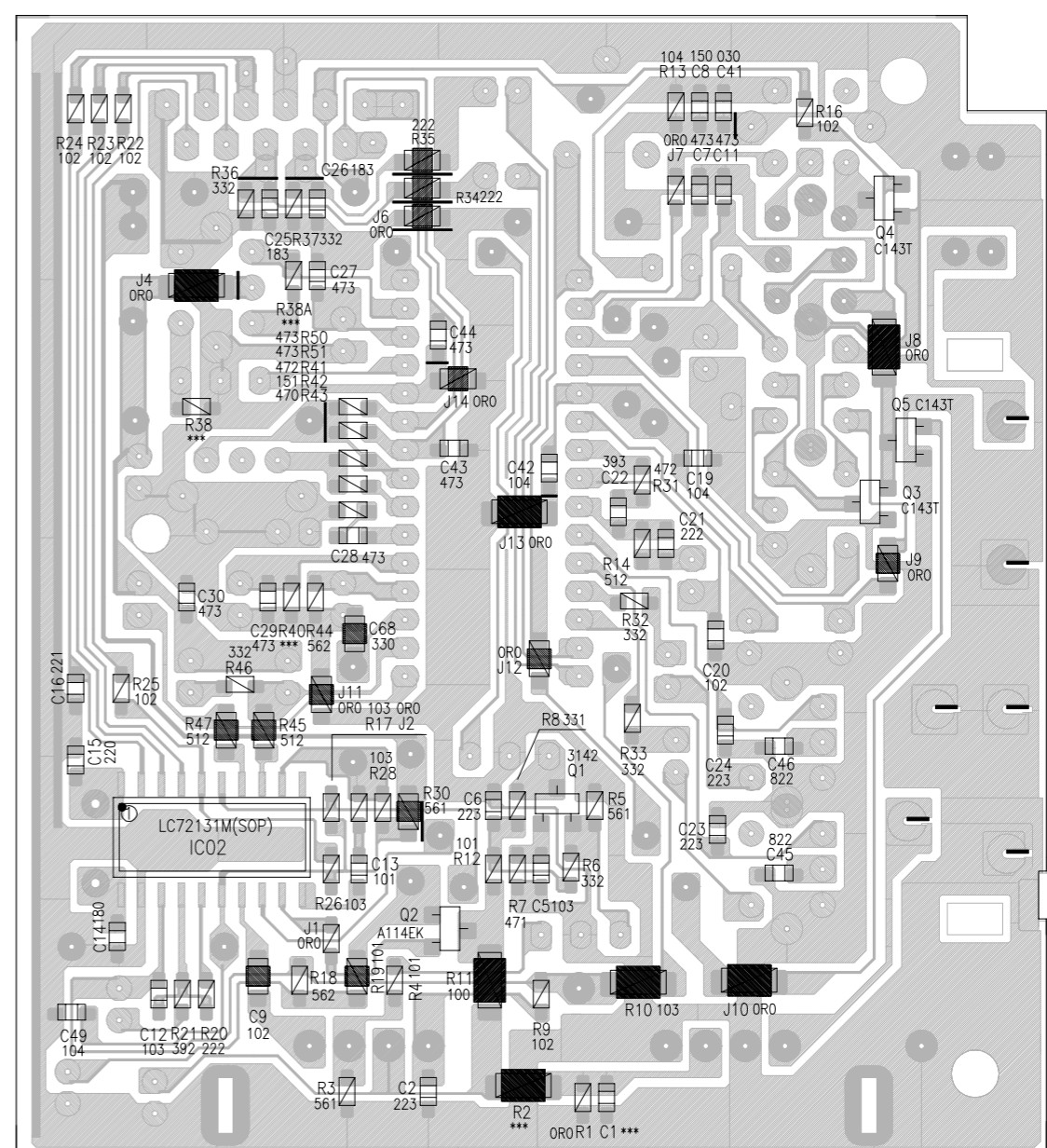
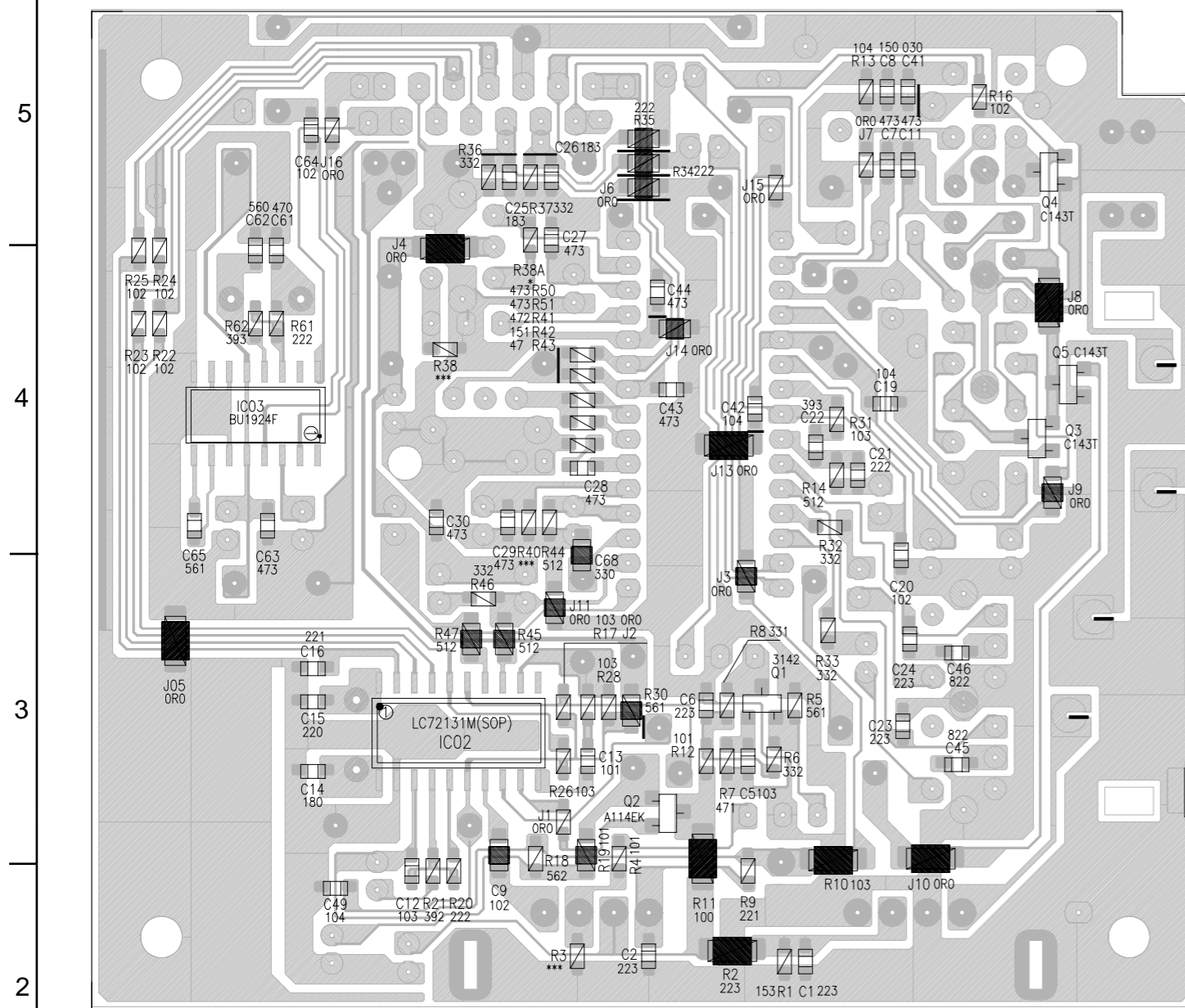
G

H

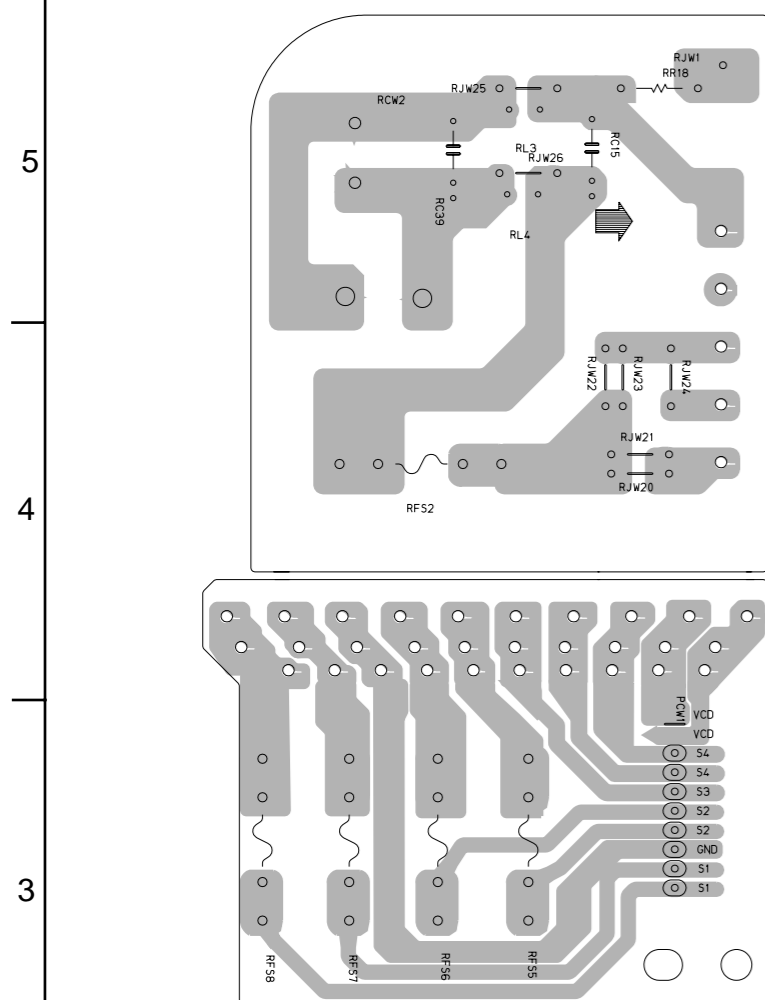


■ Tuner board (Ver. B, E, EE, EV)

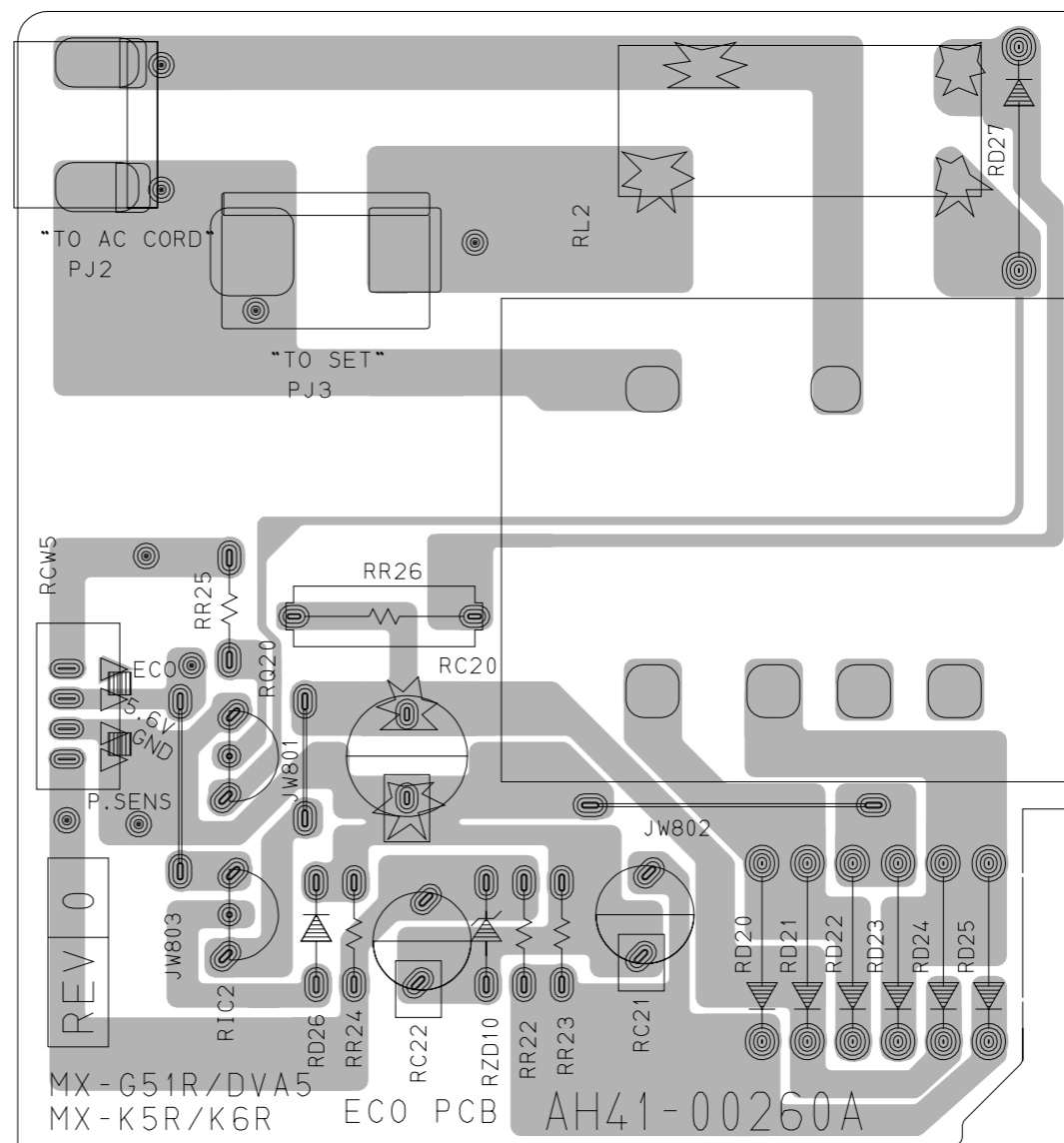
■ Tuner board (EE Only)



■ Power transformer board



■ Eco board



■ Head phone board

